

JET

16-32 PLUS SANDER

16-32PLUS.....629004M.....1~230V, 50Hz

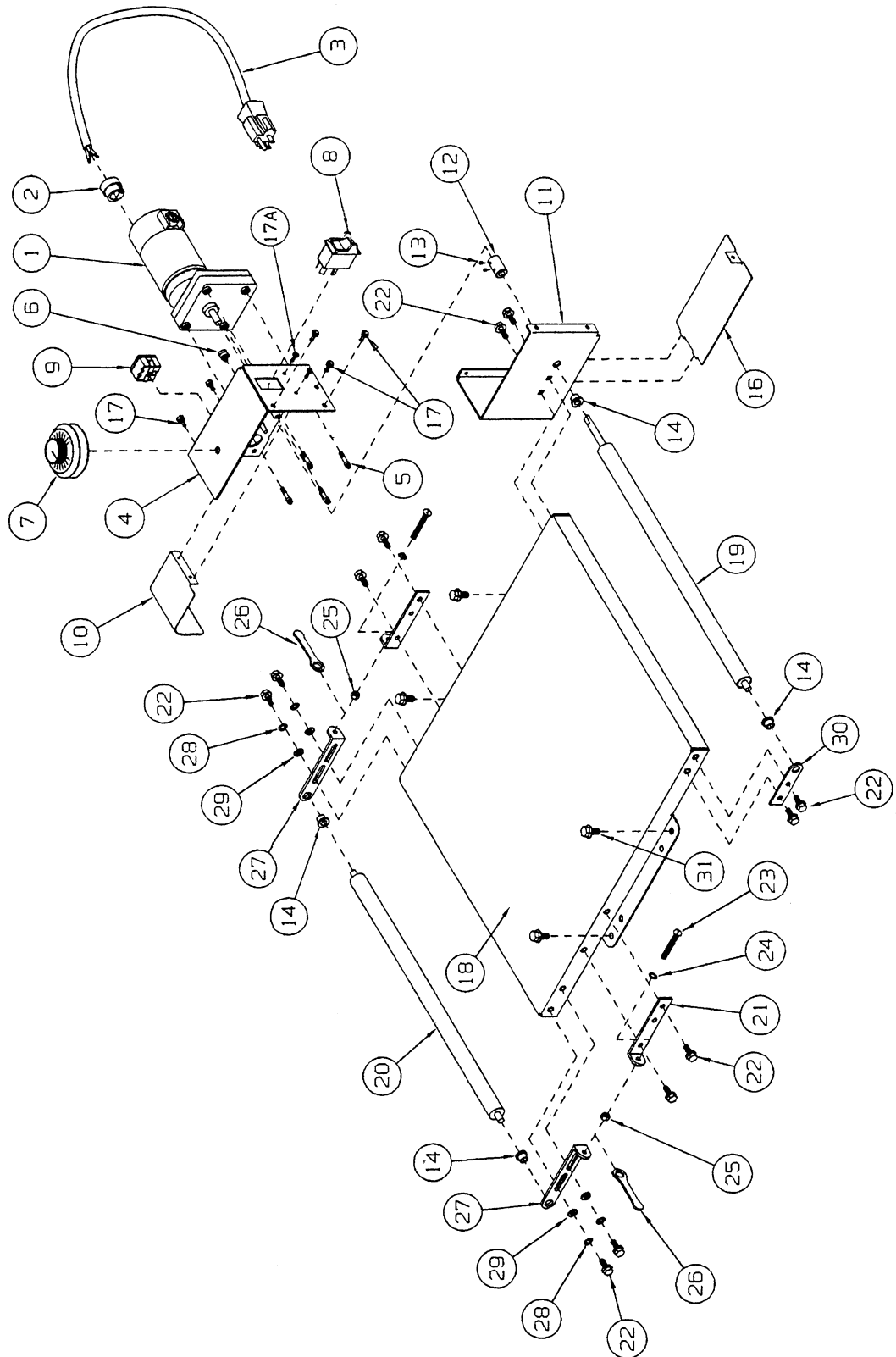
PARTS LIST

Walter Meier (Tool) AG
Tämperlistrasse 5
CH-8117 Fällanden
Switzerland
Phone +41 44 806 47 48
Fax +41 44 806 47 58
jetinfo.eu@waltermeier.com
www.jettools.com



P-629004M 2011-09

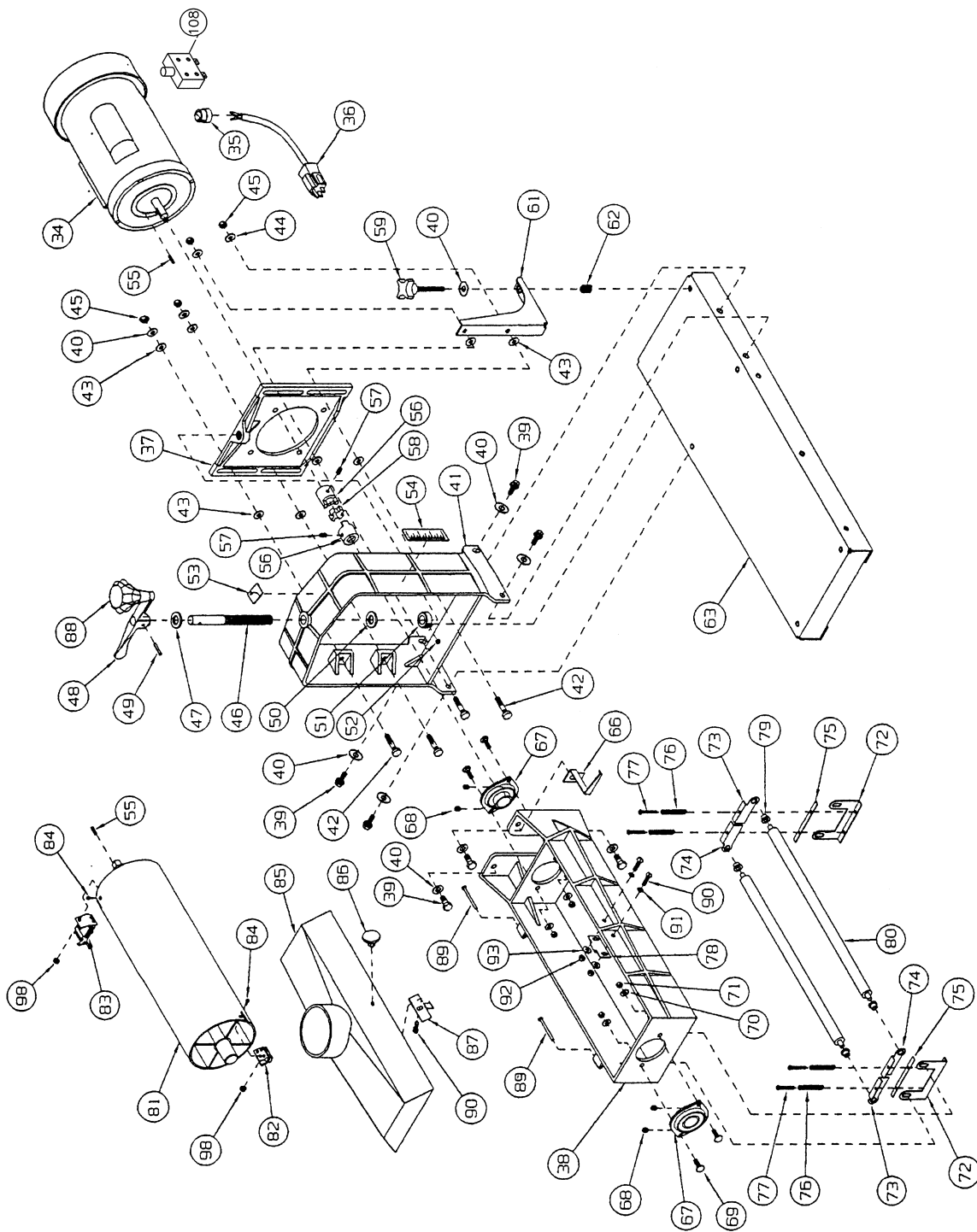
16-32PLUS Conveyor And Motor Assembly



16-32PLUS Conveyor And Motor Assembly

Index No.	Part No.	Description	Size	Qty.
1	71-1400E	Motor, Gear-180VDC		1
2	72-6014E	Strain Relief Large		1
3	72-5336E	Power Cord		1
4	40-4017	Bracket, Housing, Control		1
5	10-4010-08	Screw, Cap-Socket Head	10-32×1/2"	4
6	726101E	Strain Relief -Small		1
7	72-6106-01E	Controller , Conveyor-Variable Speed		1
8	72-2004E	Switch, On/Off-Drum		1
9	72-2111-02E	Receptacle		1
10	40-4018	Guard, Wiring		1
11	40-4003	Bracket , Base-Controller		1
12	30-0122	Coupler Shaft		1
13	10-4010-04	Screw, Set-Socket Head	10-32×1/4"	2
14	50-3105	Bushing, Oillite	5/16" I.D.	4
16	40-4022	Cover, Base-Control Housing		1
17	10-9002	Screw, Hex Head Slotted	10-32×1/2"	5
17A	10-3103	Screw, Phil Pan Hd.	6-32×1/2"	2
18	40-4010	Bed, Conveyor		1
19	30-3050-01	Roller, Drive		1
20	30-3010-01	Roller, Driven		1
21	40-4004	Bracket, Take Up-Base		2
22	10-4004-12	Bolt, Hex-Washer Head	1/4-20×3/4"	12
23	10-4007-24	Screw, Round Head-Slotted	1/4-20×1 3/4"	2
24	11-1000-04	Washer, Lock-Int, Tooth	1/4"	2
25	12-2000-04	Nut, Hex	1/4-20	2
26	40-0260	Wrench		2
27	40-0003	Bracket, Take Up-Slide		2
28	20-1161-01	Washer, Wave	1/4"	4
29	11-1002-04	Washer, Flat	1/4"	4
30	40-0005	Bracket, Support-Drive Roller		1
31	10-4002-12	Boltm Hex Washer Head	5/16-18×3/4"	1
32	60-0316	Belt, Conveyor (Not Shown)		1
33	98-0080	Tracker Kit (Not Shown)		1

16-32PLUS Drum Head Assembly



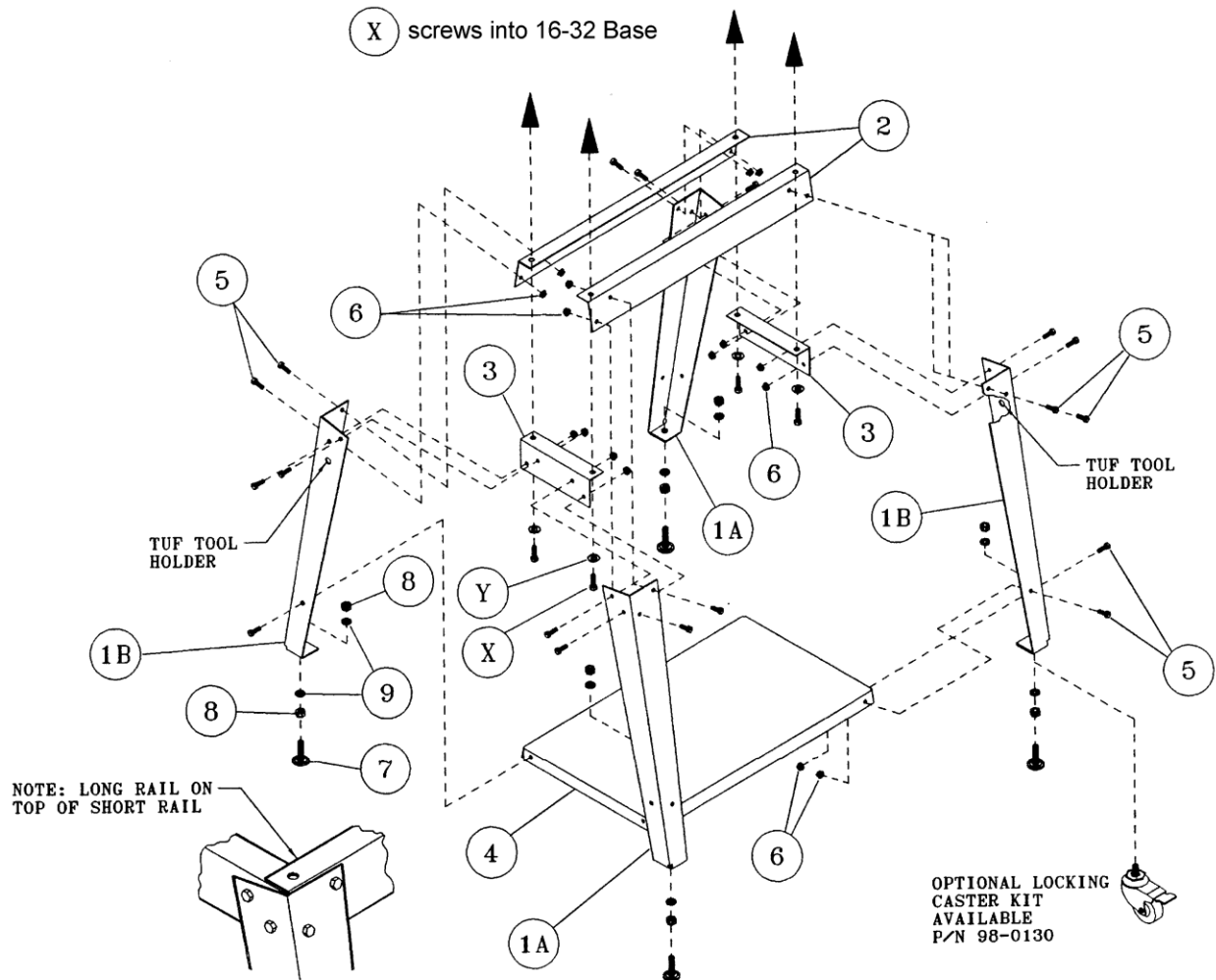
16-32PLUS Drum Head Assembly

Index No.	Part No.	Description	Size	Qty.
34	704101E	Motor	1 1/2 Hp, 230 Volt	1
35	72-6104E	Strain Relief-Large		1
36	72-5343E	Power Cord		1
37	30-3018	Slide, Motor Mount		1
38	30-3016-02E	Carriage, Drum		1
39	10-4012-20	Bolt, Hex Head	3/8-16×1 1/4"	8
40	11-1001-05	Washer, Wrought	5/16"	13
41	30-6000-02	Shroud		1
42	30-3028	Stud		4
43	50-3090-01	Washer, Oillite	5/16" I.D.	8
44	11-0510-05	Washer,	5/16" I.D.	2
45	12-2003-05	Nut, Lock Nylon Insert	5/16-24	4
46	30-3012	Screw, Height Adjustment	30-3012	1
47	50-3080	Washer, Oillite 5/8' I.D		1
48	30-0021	Handle, Height Adjustment		1
49	20-0772-01	Pin, Roll	3/16×1"	1
50	80-2324	Washer, Flat-Nylon	5/8" I.D.	1
51	20-1180-02	Collar, Locking-Shaft	5/8" I.D.	1
52	10-4020-04	Screw, Set Socket Head (Collar)	5/16-18×1/4"	1
53	94-1668E	Label, Height-Direction		1
54	94-1670E	Depth Gauge		1
55	20-0762-02	Key Stock 3/16 SQ.×3/4"		2
56	50-2207	Coupling, Shaft (Drum)		2
57	10-4018-04	Screw, Set-Socket Head	1/4"-20×1/4"	2
58	50-2209	Spider		1
59	80-3136	Knob, Adjusting		1
61	40-4006	Bracket, Drum Adjusting	1/4	1
62	20-3216	Spring		1
63	40-4005	Base, Power Feed Bed		1
65	20-0753	Retaining Ring(Not Shown)		2
66	40-3167	Needle, Depth Gauge		1
67	50-3089	Bearing, Drum		2
68	10-4023-04	Screw, Set-Nyloc	1/4-28×1/4"	4
69	10-1205	Bolt, Carriage Head	5/16-18×1"	4
70	11-0206	Washer, Flat	5/16	8
71	12-2000-05	Nut, Hex	5/16-18	4
72	40-0304	Bracket, Tension Roller		2
73	40-0308-01	Bracket, Right-Tension Roller Suspension		2
74	40-0308-02	Bracket, Left-Tension Roller Suspension		2
75	80-1060	Pad, Bracket-Tension Roller		2
76	20-3211	Spring, Tension Roller		4
77	10-4008-16	Screw, Fillister Head-Phillips	8-32×1"	4
78	40-3166	Catch, Dust Cover		1
79	50-3105	Bushing, Oillite	5/16" I.D.	4
80	30-3051-01	Roller, Tension		2
81	30-3001	Drum, Sanding		1
82	21-1173	Fastener, Abrasive-Outboard		1
83	21-1172	Fastener, Abrasive-Inboard-Take Up		1
84	10-4009-06	Screw, Flat Head-Phillips	6/32×3/8"	2
85	80-2002E	Cover, Dust		1
86	80-3137	Knob, Dust Cover		1
87	40-3168E	Latch, Dust Cover		1

16-32PLUS Drum Head Assembly

Index No.	Part No.	Description	Size	Qty.
88	80-3131	Knob Hgt Adj		1
89	20-0775	Pin, Hinge		2
90	10-4007-10	Screw, Round Head-Slotted	1/4-20×5/8"	5
91	11-1000-04	Washer, Lock-Int.Tooth	1/4"	2
92	12-2000-04	Nut, Hex	1/4-20	2
93	11-1002-04	Washer, Flat	1/4"	2
94	98-0010	Kit, Handle (Includes Items 46,48,49) (Not Shown)		N.A.
95	51-2200	Kit, Couple (Includes Items 56,67,58) (Not Shown)		N.A.
96	92-2627	Packet, Manual (Not Shown)		1
97	92-1634	Manual, 16/32 Model #629004K (Not Shown)		1
98	12-9001	Nut, Nylon Insert Lock	6-32	1
99	98-0060	Tuff Tool (Not Shown)		1
100	1632-100E	Rail, In The Drum Carriage (Not Shown)		1
102	1632-102E	Running Label (Not Shown)		1
103	1632-103E	Warning Label, On Dust Cover (Not Shown)		1
104	1632-104E	Warning Label, On Drum Carriage (Not Shown)		2
105	1632-105E	I.D Label (Not Shown)		1
106	1632-106E	Motor Label (Not Shown)		1
107	1632-107E	Dc-Motor Label (Not Shown)		1
108	1632-108E	Overload	250V, 8A	1
109	1632-109E	Emc, In The Control Housing (Not Shown)		1
110	1632-110E	Dc-Motor Cord (Not Shown)		1
111	TS-0050081	Hex Socket Cap Screw (Not Shown)	1/4" ×3/4"	1

16-32PLUS Stand Assembly



Index No.	Part No.	Description	Size	Qty
1A.....	40-4040	Left Leg.....		2
1B.....	40-4041	Right Leg (with TufTool holder)		2
2.....	40-4042	Long Rail.....		2
3.....	40-4043	Short Rail.....		2
4.....	98-1610	Shelf.....		1
5.....	10-1206	Carriage Bolt.....	5/16"x5/8"	24
6.....	12-0207	Flanged Lock Nut	5/16"	24
7.....	20-0655	Leveling Foot		4
8.....	TS-0561031	Hex Nut.....	3/8"	8
9.....	TS-0680041	Flat Washer	3/8"	8

16-32PLUS.....629004M.....1~230V, 50Hz

	colour of strands	Litzenfarben	couleur des cordons
BK	black	schwarz	noir
WH	white	weiß	blanc
BU	blue	blau	bleu
YE	yellow	gelb	jaune
RD	red	rot	rouge
BN	brown	braun	brun
GY	grey	grau	gris
GNYE	green-yellow	grün-gelb	vert-jaune
OG	orange	orange	orange
VT	violet	violett	violet

	meaning of symbol	Bedeutung der Zeichen	interprétation
M	motor	Motor	moteur
S	switch	Schalter	interrupteur
C	condenser	Kondensator	condensateur
E	electronic unit	Elektronik Einheit	unité électronique
F	fuse	Sicherung	fusible
RS	reversing switch	Drehrichtungsschalter	commu. droite/gauche
CS	centrifugal switch	Fliehkraftschalter	déclencheur centrifuge
OL	overload cut-off	Überlastschutzschalter	déclencheur surcharge
LS	limit switch	Positionsendschalter	micro

